

INSTITUTE OF
PUBLIC ADMINISTRATION
AUSTRALIA

IPAA
ACT

INDIVIDUAL & ASSOCIATE MEMBERSHIP KIT

BUILD YOUR CONNECTIONS
CHALLENGE YOUR THINKING

WELCOME

Welcome to the Institute of Public Administration Australia (ACT). We value your membership and look forward to working with you.

We invite you to maximise the value of your membership by participating in our events, listening to our podcasts, or joining a committee.

Your involvement will ensure that the values and needs of the public service are highlighted and that we continue to structure our events and associated programs to support the public sector.

In this kit, you will find information about your membership including:

- IPAA overview
- IPAA ACT leadership
- Programs and events
- The *Work with Purpose* podcast
- IPAA communications channels

Your membership provides access to a platform for development, discussion, and engagement across the public sector.



YOUR MEMBERSHIP

IPAA ACT individual and associate memberships demonstrate a personal commitment to excellence in public administration, and provide you with access to a public sector platform encouraging development, discussion and engagement.

Collectively, our membership base represents over 240,000 professionals in public administration, including all current Australian government departments and a large number of agencies, the ACT public service, private sector organisations and academia.

MEMBERSHIP CONTACT

For questions regarding membership benefits, opportunities, fees and payments, contact membership@act.ipaa.org.au or 02 6154 9800

Note: Individual and associate memberships are non-transferable within the financial year.

MEMBER BENEFITS SNAPSHOT

AS AN INDIVIDUAL OR ASSOCIATE MEMBER, YOU HAVE ACCESS TO THE FOLLOWING BENEFITS:

- **Event tickets at member rate** - free or discounted registration to IPAA ACT events and initiatives where applicable.
- **Exclusive attendance** - invitations to member-only events.
- **Digital content** - access digital content including our *Work with Purpose* podcast, webinars and livestreamed events.
- **Capability programs** - participate in masterclasses.
- **Development opportunities** - get involved in IPAA committees and working groups.
- **Nationwide public sector engagement** - expand your knowledge of public administration and network across Australia by attending events, seminars, and conferences hosted by IPAA divisions nationally.
- **Professional development** - discounted access to the summits, masterclasses and workshops.
- **Journal** - complimentary online access to new papers and the entire back catalogue of IPAA's journal of record on public administration, public management, and public policy in Australia – the *Australian Journal of Public Administration*.
- **Networking** - broaden your local and interstate networks with people who share common professional interests.

“IPAA is a very valuable service and I encourage my staff to attend events and professional development opportunities.”



GET INVOLVED

HERE ARE SOME WAYS ON HOW YOU CAN GET INVOLVED WITH US:

ATTEND OUR EVENTS

[Sign up](#) to receive our event invitations and newsletters.

HONE YOUR EXPERTISE

Attend a masterclass to strengthen your skills and capabilities. Learn from leading local and global experts.



“As well as personal development, IPAA provides an excellent opportunity to maintain and grow networks.”

SUGGEST A SPEAKER

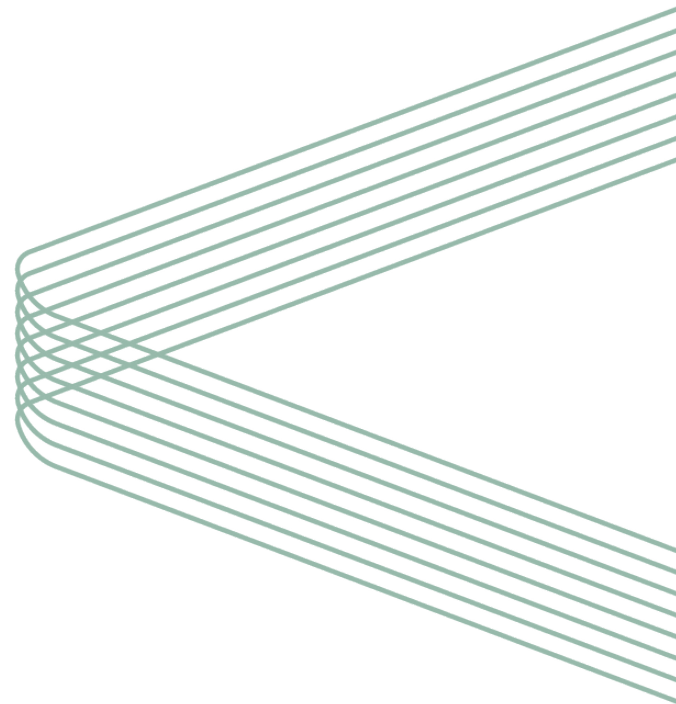
Suggest a speaker or topic for an IPAA event or podcast, which is relevant to public administration and the IPAA membership.

JOIN A NETWORK

Expand your networks and give back to the public sector by joining a network or working group.

KEEPING YOUR MEMBERSHIP CURRENT

To stay informed of events and programs it is important that you let us know if your contact details change, by emailing membership@act.ipaa.org.au.



ABOUT IPAA

IPAA ACT is the professional body promoting excellence and professionalism in public administration.

We are a non-profit and non-partisan organisation working with the public sector, private sector, academia and other institutions to provide members with a platform for debate and discussion about improving and striving for excellence in public administration in Australia.

Read our [Strategic Plan 2025-28](#) which outlines our current priorities.

LEADERSHIP

IPAA ACT has a two-tier governance structure including a board and council. The board of directors is the governing body of IPAA ACT and is elected by the council. The council represents our member base and is elected by members every three years. The board and council are led by our President, Ms Katherine Jones PSM FIPAA.

“Working in a portfolio agency, IPAA is critical to understanding the whole of government context.”



THE IPAA TEAM

The IPAA ACT team is based in Barton and led by Chief Executive Officer, Kate Driver. Meet Kate and the team [here](#).

IPAA'S NATIONAL FOOTPRINT

IPAA ACT is part of a federated national body which was formed on 1 January 1980. Andrew Metcalfe AO is IPAA's national president. He leads a national council made up of representatives of the eight IPAA divisions and a national executive. More information on IPAA's national activities is available on the [IPAA National website](#).

LEADERSHIP

IPAA ACT BOARD OF DIRECTORS

Chair and President

Tony Cook PSM

Secretary

Department of Education

Deputy President

Justine Greig

Deputy Secretary, Defence People

Department of Defence

Deputy President

Letitia Hope

Deputy Secretary

Department of Social Services

Board member

Mark Harrison

Managing Director

Sententia Consulting

Board member

Patrick Hetherington

Interim Coordinator-General

National Emergency

Management Agency

Board member

Kathy Hilyard

Co-founder

Centre for Collective Leadership

Board member

Kathy Leigh FIPAA

Head of Service, ACT Public Service
and Director-General

ACT Chief Minister, Treasury and
Economic Development Directorate

Company Secretary

Barry Mewett FIPAA

Fellow and Individual Member

We are a non-profit and non-partisan organisation. We work in partnership with the public sector, private sector, academia, and other institutions to provide a platform for debate and discussion on public administration in Australia, focused on improvement and professional excellence.

IPAA ACT COUNCIL

IPAA ACT President and Board Member

Tony Cook PSM

Secretary
Department of Education

IPAA ACT Board Member and Deputy President

Justine Greig

Deputy Secretary, Defence People
Department of Defence

IPAA ACT Board Member and Deputy President

Letitia Hope

Deputy Secretary
Department of Social Services

Dr Rachel Bacon

Deputy Secretary, Public Sector Reform
Department of the Prime Minister and Cabinet

Chris Birrer

Deputy Chief Executive Officer
Payments & Integrity Group, Services
Australia

Leanne Blackley

Chief Operating Officer
Comcare

Professor Deborah Blackman

Associate Dean Life Long Learning
Professor in Public Sector Management
Strategy Public Service Research Group,
UNSW Canberra

Jasna Blackwell CPHR

Chief People Officer, Chief Risk
Officer, First Assistant Secretary
People, Parliamentary and
Communications Division
Department of Education

Maree Bridger

Deputy Secretary, Chief Operating Officer
Department of Infrastructure, Transport,
Regional Development, Communications,
Sport and the Arts

Sam Chard PSM GIACD

Head of Division Business Grants Hub
Department of Industry, Science
and Resources

Dr Jill Charker

Deputy Coordinator General
Disaster Resilience and Recovery
National Emergency Management Agency

Paul Coromandel

Lead Partner, Federal Government
KPMG Australia

Jason Duarte

IPAA individual members representative
Head of Public Sector, Westpac

Anna Faithfull

Deputy Secretary Skills and Training Group
Department of Employment and Workplace
Relations

IPAA ACT COUNCIL

Chris Fechner

Chief Executive Officer
Digital Transformation Agency

Jarrod Howard

Deputy Commissioner, Strategy and
Capability Group
Department of Home Affairs | Australian
Border Force

Professor Janine O'Flynn

IPAA ACT Representative to the
IPAA National Council
Director, ANU Crawford School of
Public Policy

John Love

Group Manager, Corporate
National Indigenous Australian Agency

David Mackay

Deputy Secretary for Regions, Cities, and
Territories
Department of Infrastructure, Transport,
Regional Development, Communications,
Sport and the Arts

Kelly Pearce

IPAA individual members representative
Retired, former senior executive
Department of Education

Robert Wright

Deputy Director-General, Office of
Workplace Safety and Industrial Relations,
Chief Minister, Treasury and Economic
Development Directorate
ACT Government

Kate Driver

IPAA ACT Chief Executive Officer
IPAA Council Public Officer (ex officio)

NETWORKS AND COMMUNITIES OF PRACTICE

IPAA ACTs networks connect public sector professionals across the ACT, fostering collaboration, learning and leadership.

These include:

- Future Leaders
- Executive Assistants
- First Nations
- Eminent Alumni
- Fellows

Our communities of practice bring practitioners together around shared policy, capability and professional interests, enabling peer learning, knowledge exchange, and practical insights that strengthen public administration and service delivery within the public sector.

If you are interested in finding out more about our networks and communities of practice, please contact the IPAA team [here](#).

Being part of a network is a great way to get involved in IPAA activities, grow your networks and give back to the sector.



GOVERNANCE

IPAA ACT CONSTITUTION, AGM, AND MEMBER'S ENTITLEMENT TO VOTE

The Institute of Public Administration Australia (ACT) Limited is a registered company under the Corporations Act 2001 and is bound by a constitution, which was last updated in October 2021.

The constitution is available [here](#).

IPAA ACT's Annual General Meeting is held annually in the second half of the calendar year. Notification of upcoming AGMs are distributed to heads and relevant contacts of member organisations 21 days prior to the meeting. Members are entitled to vote at the AGM, and special general meetings as they are called.

Further details about member voting entitlements and the voting process can be found in the [constitution](#).

PARTNERS

IPAA ACT thanks our corporate partners, whose support has helped to enrich our program and offer a broader range of services.

Tier 1 corporate partners



Tier 2 corporate partners



Tier 3 corporate partners



Work with Purpose
podcast partner



In-kind partners



PROGRAMS AND EVENTS

IPAA ACT works in partnership with the public sector, the private sector, academia and other institutions, to provide a platform for debate and discussion of issues of vital importance to public administration. Our suite of programs and events includes a podcast series, flagship events, special event series, on demand content, and conferences.

FLAGSHIP EVENTS

INTERNATIONAL WOMEN'S DAY EVENT

Our annual International Women's Day event recognises the extraordinary contribution that women make to the public sector.

ADDRESS TO THE AUSTRALIAN PUBLIC SERVICE

The secretary of the Department of the Prime Minister and Cabinet reflects on the year at this annual IPAA event.

HELEN WILLIAMS ORATION

IPAA divisions host an oration as part of their annual calendar to honour an individual and their contributions to public administration. In 2018, IPAA ACT established the Helen Williams Oration in honour of Helen Williams AC, the first woman to be appointed secretary of an Australian government department.

VALEDICTORIES

Our valedictories are an opportunity for leaders and professionals in the public sector to hear from outgoing secretaries and high-ranking public officials about their careers in the public service. Speakers often reflect on their experiences, and share their advice on how to build a successful career in the sector.

"IPAA events give me a broader perspective of the APS and motivate me in my work through sharing success stories and challenges."

EVENT SERIES

SECRETARY SERIES

IPAA ACT has the privilege to work with key leaders across the public sector. The Secretary Series provides a platform for secretaries and agency heads to reflect on their portfolio, identify challenges, and discuss issues of relevance to the public sector.

FUTURE LEADERS SERIES

The Future Leaders series is a professional development opportunity for emerging leaders to grow their networks and to learn from and engage with senior leaders and peers.

EXECUTIVE ASSISTANT SERIES

The Executive Assistant or EA Series is a great opportunity for EAs across the public and private sectors to come together, share experiences and insights, and build their capability and networks.



WORK WITH PURPOSE PODCAST

Launched in April 2020, the **Work with Purpose** podcast features discussions with leading experts about the challenges facing the Australian public sector and how to tackle them. David Pembroke, contentgroup’s founder and CEO, leads the Work with Purpose discussions.

Listen to the [Work with Purpose podcast](#).

Topics covered in the series have included:

- early COVID-19 response
- health and wellbeing
- the economy
- the APS after COVID-19
- security and defence
- innovation
- ACT government perspectives
- corporate perspectives
- future of work
- partnerships and collaboration
- diversity and inclusion
- integrity



Produced in partnership with

contentgroup

Supported by



Australian Government
Australian Public Service Commission

PUBLIC SECTOR UNEARTHED SERIES

Public Sector Unearthed is a spin-off series of our Work with Purpose podcast, produced in collaboration with the APS Reform Office, contentgroup, and IPAA ACT.

On Unearthed, we listen to people’s stories and showcase public servants who are achieving grassroots culture change and reform. This can be through initiatives in leadership and mentoring, communities of practice, diversity and inclusion networks, and the effective promotion of the values and purpose of the public sector.

Listen to the Unearthed series [here](#).



Produced in partnership with



Australian Government
Australian Public Service Commission

contentgroup



COMMUNICATION CHANNELS

IPAA ACT regularly communicates with members via email. Members can choose to receive the following communications:

EVENT AND PODCAST UPDATES

Notifications of upcoming or recently released events, programs, and podcasts delivered or supported by IPAA ACT.

IPAA CONNECT

Our monthly newsletter highlights past, current, and future IPAA events and activities, along with relevant public sector news and resources.

You can [subscribe](#) to our email communications using this form. To add multiple staff members to our email distribution list, contact membership@act.ipaa.org.au.

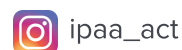
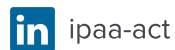
WEBSITES

The IPAA ACT website provides regularly updated information on events, news, initiatives, and multimedia content.

IPAA's national website provides regularly updated information on IPAA events and training opportunities across Australia. It also has a range of freely available content including news, features and insights, as well as the history of IPAA and the national council.

SOCIAL MEDIA

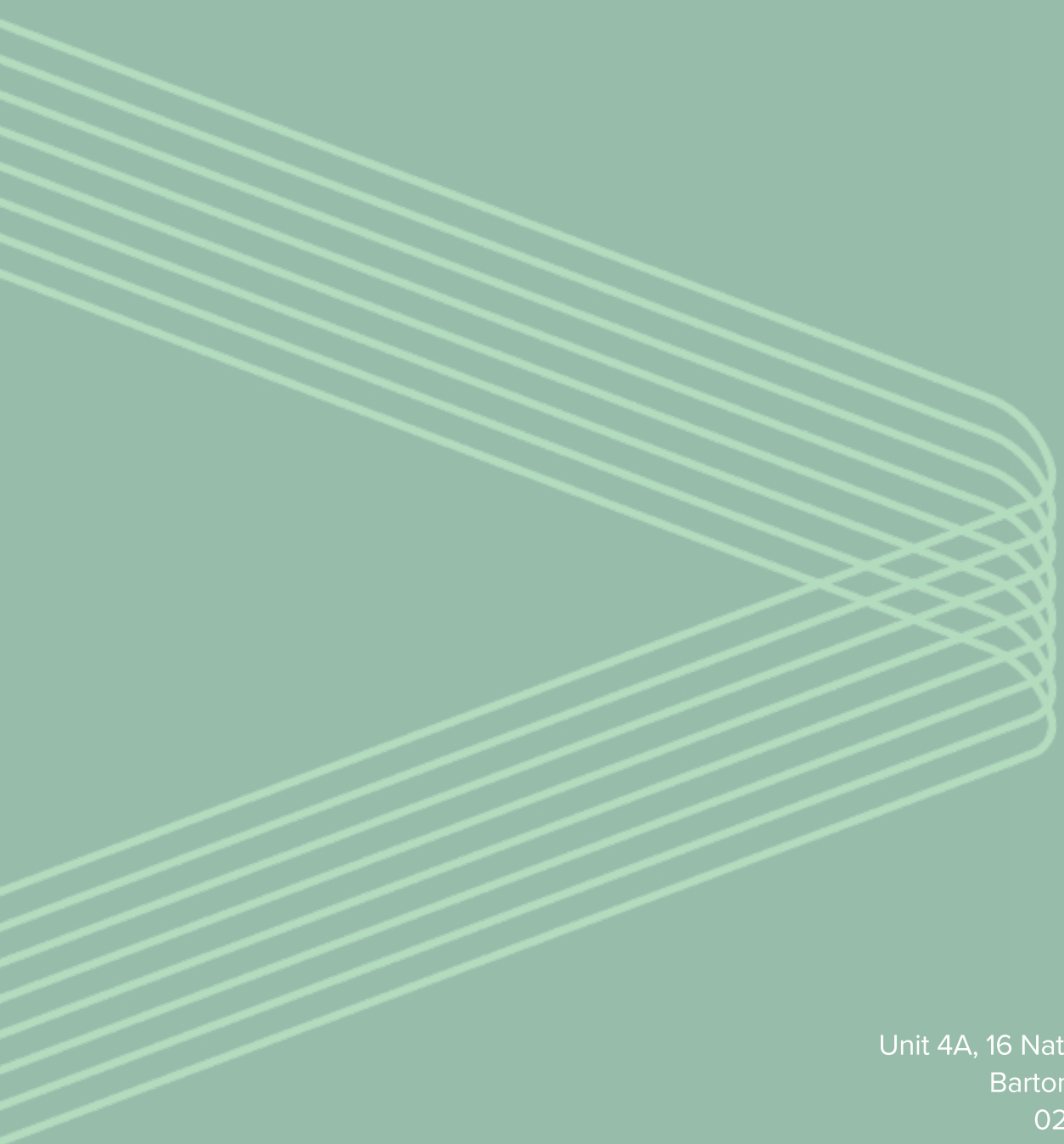
Follow us on our social media channels for more updates:



INSTITUTE OF
PUBLIC ADMINISTRATION
AUSTRALIA

IPAA
ACT

BUILD YOUR CONNECTIONS
CHALLENGE YOUR THINKING



Unit 4A, 16 National Circuit
Barton ACT 2600
02 6154 9800
admin@act.ipaa.org.au
www.act.org.au