

INSTITUTE OF  
PUBLIC ADMINISTRATION  
AUSTRALIA

**IPAA**  
ACT

# INDIVIDUAL MEMBERSHIP KIT



**BUILD** YOUR CONNECTIONS  
**CHALLENGE** YOUR THINKING

# WELCOME

Welcome to the Institute of Public Administration Australia (ACT). We value your membership and look forward to working with you.

We invite you to maximise the value of your membership by participating in our events, listening to our podcasts, or joining a committee.

Your involvement will ensure that the values and needs of the public service are highlighted and that we continue to structure our events and associated programs to support the public sector.

In this kit, you will find information about your membership including:

- IPAA overview
- IPAA ACT leadership
- Programs and events
- The *Work with Purpose* podcast
- IPAA communications channels

**Your membership provides access to a platform for development, discussion, and engagement across the public sector.**



## YOUR MEMBERSHIP

IPAA ACT individual membership demonstrates a personal commitment to excellence in public administration, and provides you with access to a public sector platform encouraging development, discussion and engagement.

Collectively our membership base represents over 150,000 professionals in public administration, with including all current Australian government departments and a large number of agencies, the ACT public service, private sector organisations and academia.

## MEMBERSHIP CONTACT

For questions regarding membership benefits, opportunities, fees and payments, contact [membership@act.ipaa.org.au](mailto:membership@act.ipaa.org.au) or 02 6154 9800

Note: Individual memberships are non-transferable within the financial year.

# MEMBER BENEFITS SNAPSHOT

## AS AN INDIVIDUAL MEMBER, YOU HAVE ACCESS TO THE FOLLOWING BENEFITS:

- **Event tickets at member rate** - free or discounted registration to IPAA ACT events and initiatives where applicable.
- **Exclusive attendance** - invitations to member-only events.
- **Digital content** - access digital content including our *Work with Purpose* podcast, webinars and livestreamed events.
- **Capability programs** - participate in masterclasses.
- **Development opportunities** - get involved in IPAA committees and working groups.
- **Nationwide public sector engagement** - expand your knowledge of public administration and network across Australia by attending events, seminars, and conferences hosted by IPAA divisions nationally.
- **Annual conference** - discounted access to the annual IPAA ACT conference and the IPAA national conference.
- **Journal** - complimentary online access to new papers and the entire back catalogue of IPAA's journal of record on public administration, public management, and public policy in Australia – the *Australian Journal of Public Administration*.
- **Networking** - broaden your local and interstate networks with people who share common professional interests.

*“IPAA is a very valuable service and I encourage my staff to attend events and professional development opportunities.”*

# GET INVOLVED

## HERE ARE SOME WAYS ON HOW YOU CAN GET INVOLVED WITH US:

### ATTEND OUR EVENTS

[Sign up](#) to receive our event invitations and newsletters.

### HONE YOUR EXPERTISE

Attend a masterclass to strengthen your skills and capabilities. Learn from leading local and global experts.



*“As well as personal development, IPAA provides an excellent opportunity to maintain and grow networks.”*

### SUGGEST A SPEAKER

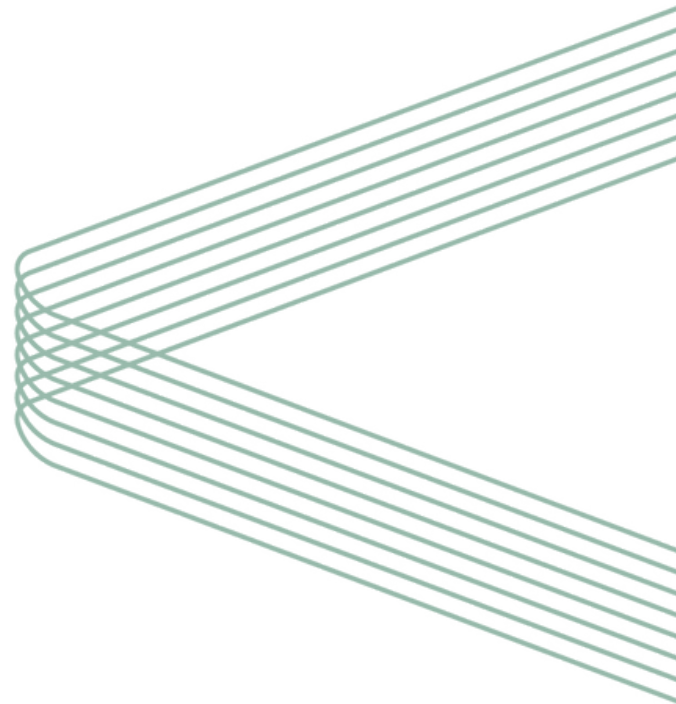
Suggest a speaker or topic for an IPAA event or podcast, which is relevant to public administration and the IPAA membership.

### JOIN A COMMITTEE OR WORKING GROUP

Expand your networks and give back to the public sector by joining an [IPAA ACT committee](#) or working group.

### KEEPING YOUR MEMBERSHIP CURRENT

To stay informed of events and programs it is important that you let us know if your contact details change, by emailing [membership@act.ipaa.org.au](mailto:membership@act.ipaa.org.au).



## ABOUT IPAA

IPAA ACT is the professional body promoting excellence and professionalism in public administration.

We are a non-profit and non-partisan organisation working with the public sector, private sector, academia and other institutions to provide members with a platform for debate and discussion about improving and striving for excellence in public administration in Australia.

Read our [Strategic Plan 2022-25](#) which outlines our current priorities.



## LEADERSHIP

IPAA ACT has a two-tier governance structure including a board and council. The board of directors is the governing body of IPAA ACT and is elected by the council. The council represents our member base and is elected by members every three years. The board and council are led by our President, Ms Katherine Jones PSM FIPAA.

*“Working in a portfolio agency, IPAA is critical to understanding the whole of government context.”*

## THE IPAA TEAM

The IPAA ACT team is based in Barton and led by Chief Executive Officer, Kate Driver. Meet Kate and the team [here](#).

## IPAA’S NATIONAL FOOTPRINT

IPAA ACT is part of a federated national body which was formed on 1 January 1980. Andrew Metcalfe AO is IPAA’s national president. He leads a national council made up of representatives of the eight IPAA divisions and a national executive. More information on IPAA’s national activities is available on the [IPAA national website](#).

# LEADERSHIP

## IPAA ACT BOARD OF DIRECTORS

### Chair and President

#### **Katherine Jones PSM FIPAA**

Secretary

Attorney-General's Department

### Deputy President

#### **Justine Greig PSM**

Deputy Secretary, Defence People  
Department of Defence

### Deputy President

#### **Letitia Hope**

Deputy Secretary

Department of Social Services

### Board Member

#### **Mark Harrison**

Managing Director

Sententia Consulting

### Board Member

#### **Patrick Hetherington**

Chief Operating Officer

Department of Social Service

### Board member

#### **Kathy Hilyard**

Co-founder

Centre for Collective Leadership

### Board member

#### **Kathy Leigh FIPAA**

Head of Service, ACT Public Service  
and Director-General  
ACT Chief Minister, Treasury and  
Economic Development Directorate

### Company Secretary

#### **Barry Mewett FIPAA**

Fellow and Individual Member

We are a non-profit and non-partisan organisation. We work in partnership with the public sector, private sector, academia, and other institutions to provide a platform for debate and discussion on public administration in Australia, focused on improvement and professional excellence.

## IPAA ACT COUNCIL

### **Katherine Jones PSM FIPAA**

IPAA ACT President and Board Member  
Secretary, Attorney-General's Department

### **Justine Greig PSM**

IPAA ACT Board Member and Deputy President  
Deputy Secretary, Defence People  
Department of Defence

### **Letitia Hope**

IPAA ACT Board Member and Deputy President  
Deputy Secretary, Department of Social Services

### **Kate Driver**

IPAA ACT Chief Executive Officer  
IPAA Council Public Officer (ex officio)

### **Dr Rachel Bacon**

Deputy Commissioner Integrity, Reform and  
Enabling Services, Australian Public Service  
Commission

### **Chris Birrer**

Deputy Chief Executive Officer Payments &  
Integrity Group, Services Australia

### **Tess Bishop**

Chief Operating Officer and Deputy Secretary  
Strategy, Enterprise and Engagement Group  
Department of Agriculture, Fisheries and  
Forestry

### **Leanne Blackley**

Chief Operating Officer, Comcare

### **Professor Deborah Blackman**

Associate Dean Life Long Learning, Professor in  
Public Sector Management Strategy, Public  
Service Research Group, UNSW Canberra

### **Jasna Blackwell CPHR**

Chief People Officer, Chief Risk Officer, First  
Assistant Secretary People, Parliamentary and  
Communications Division Department of  
Education

### **Maree Bridger**

Deputy Secretary, Chief Operating Officer  
Department of Infrastructure, Transport,  
Regional Development, Communications and  
the Arts

### **Diane Brown**

Deputy Secretary, Revenue Group,  
The Treasury

### **Lisa Carmody**

Deputy Director General, Chief Minister,  
Treasury and Economic Development  
Directorate, ACT Government

### **Sam Chard PSM GIACD**

Head of Division, Business Grants Hub,  
Department of Industry, Science and  
Resources

### **Jason Duarte**

Representative to IPAA individual members  
Head of Public Sector, Westpac

### **Anna Faithfull**

Deputy Secretary, Skills and Training Group,  
Department of Employment and Workplace  
Relations

### **Chris Fechner**

Chief Executive Officer, Digital Transformation  
Agency

### **Jarrold Howard**

Deputy Chief Executive Officer, Customer  
Service Delivery, Services Australia

### **David MacKay**

Deputy Secretary for Regions, Cities, and  
Territories, Department of Infrastructure,  
Transport, Regional Development,  
Communications and the Arts

### **Professor Janine O'Flynn**

IPAA ACT Representative to the IPAA National  
Council  
Director, ANU Crawford School of Public  
Policy

### **Kelly Pearce**

Representative to IPAA individual members  
Retired, former senior executive Department  
of Education

### **Michael Peel**

Executive Director, Government Client  
Coverage, Commonwealth Bank

### **Sophie Sharpe**

Deputy Secretary, Department of Home Affairs

# COMMITTEES AND WORKING GROUPS

IPAA ACT supports several committees that oversee its governance and specialist events and activities in line with the strategic plan. These include the:

- Finance, Risk and Audit Committee
- Future Leaders Committee
- Executive Assistant Committee

Each committee comprises of representatives from our membership base, including the Australian government, ACT government, the private sector, and academia.

We also draw from a pool of experts from our membership base to be part of project-based working groups to help with the development of and provide guidance on the implementation of initiatives.

If you are interested in finding out more about our committees and working groups, please contact the IPAA team [here](#).

Being part of a committee is a great way to get involved in IPAA activities, grow your networks and give back to the sector.



## GOVERNANCE

### IPAA ACT CONSTITUTION, AGM, AND MEMBER'S ENTITLEMENT TO VOTE

The Institute of Public Administration Australia (ACT) Limited is a registered company under the Corporations Act 2001 and is bound by a constitution, which was last updated in October 2021.

The constitution is available [here](#).

IPAA ACT's Annual General Meeting is held annually in the second half of the calendar year. Notification of upcoming AGMs are distributed to heads and relevant contacts of member organisations 21 days prior to the meeting. Members are entitled to vote at the AGM, and special general meetings as they are called.

Further details about member voting entitlements and the voting process can be found in the [constitution](#).



# PARTNERS

IPAA ACT thanks our corporate partners, whose support has helped to enrich our program and offer a broader range of services.

## Tier 1 corporate partners



MinterEllison



## Tier 2 corporate partners



## Digital content partner

contentgroup

## In-kind partners



# PROGRAMS AND EVENTS

IPAA ACT works in partnership with the public sector, the private sector, academia and other institutions, to provide a platform for debate and discussion of issues of vital importance to public administration. Our suite of programs and events includes a podcast series, flagship events, special event series, on demand content, and conferences.

## FLAGSHIP EVENTS

### INTERNATIONAL WOMEN'S DAY EVENT

Our annual International Women's Day event recognises the extraordinary contribution that women make to the public sector.

### ADDRESS TO THE AUSTRALIA PUBLIC SERVICE

The secretary of the Department of the Prime Minister and Cabinet reflects on the year at this annual IPAA event.

### HELEN WILLIAMS ORATION

IPAA divisions host an oration as part of their annual calendar to honour an individual and their contributions to public administration. In 2018, IPAA ACT established the Helen Williams Oration in honour of Helen Williams AC, the first woman to be appointed secretary of an Australian government department.

## CAPABILITY PROGRAMS

### FIRST NATIONS EMERGING LEADERS PROGRAM

This new program is designed for emerging First Nations leaders working in the Commonwealth and ACT public sector. It aims to emphasise Australian Aboriginal and Torres Strait leadership voices and lived experiences and provide a brave space to build our participants' resilience and authentic leadership brand.

## EVENT SERIES

### SECRETARY SERIES

IPAA ACT has the privilege to work with key leaders across the public sector. The Secretary Series provides a platform for secretaries and agency heads to reflect on their portfolio, identify challenges, and discuss issues of relevance to the public sector.

### FUTURE LEADERS SERIES

The Future Leaders series is a professional development opportunity for emerging leaders to grow their networks and to learn from and engage with senior leaders and peers.

### EXECUTIVE ASSISTANT SERIES

The Executive Assistant or EA Series is a great opportunity for EAs across the public and private sectors to come together, share experiences and insights, and build their capability and networks.

## CONFERENCES

### IPAA ACT CONFERENCE

IPAA ACT's conference is Canberra's premier forum for the Australian public service, providing a stellar lineup of thought leaders and change agents from the public, private, and nonprofit sectors and academia.

*"IPAA events give me a broader perspective of the APS and motivate me in my work through sharing success stories and challenges."*

# WORK WITH PURPOSE PODCAST

Launched in April 2020, the **Work with Purpose** podcast features discussions with leading experts about the challenges facing the Australian public sector and how to tackle them. David Pembroke, contentgroup's founder and CEO, leads the Work with Purpose discussions.

Listen to the [Work with Purpose podcast](#).

Topics covered in the series have included:

- early COVID-19 response
- health and wellbeing
- the economy
- the APS after COVID-19
- security and defence
- innovation
- ACT government perspectives
- corporate perspectives
- future of work
- partnerships and collaboration
- diversity and inclusion
- integrity



Produced in partnership with

**contentgroup**

Supported by



# PUBLIC SECTOR UNEARTHED SERIES

Public Sector Unearthed is a spin-off series of our Work with Purpose podcast, produced in collaboration with the APS Reform Office, contentgroup, and IPAA ACT.

On Unearthed, we listen to people’s stories and showcase public servants who are achieving grassroots culture change and reform. This can be through initiatives in leadership and mentoring, communities of practice, diversity and inclusion networks, and the effective promotion of the values and purpose of the public sector.

Listen to the Unearthed series [here](#).



Produced in partnership with



contentgroup



# COMMUNICATION CHANNELS

IPAA ACT regularly communicates with members via email. Members can choose to receive the following communications:

## EVENT AND PODCAST UPDATES

Notifications of upcoming or recently released events, programs, and podcasts delivered or supported by IPAA ACT.

## IPAA CONNECT

Our monthly newsletter highlights past, current, and future IPAA events and activities, along with relevant public sector news and resources.

You can [subscribe](#) to our email communications using this form. To add multiple staff members to our email distribution list, contact [membership@act.ipaa.org.au](mailto:membership@act.ipaa.org.au).

## WEBSITES

The IPAA ACT website provides regularly updated information on events, news, initiatives, and multimedia content.

IPAA's national website provides regularly updated information on IPAA events and training opportunities across Australia. It also has a range of freely available content including news, features and insights, as well as the history of IPAA and the national council.

## SOCIAL MEDIA

Follow us on our social media channels for more updates:



ipaa-act

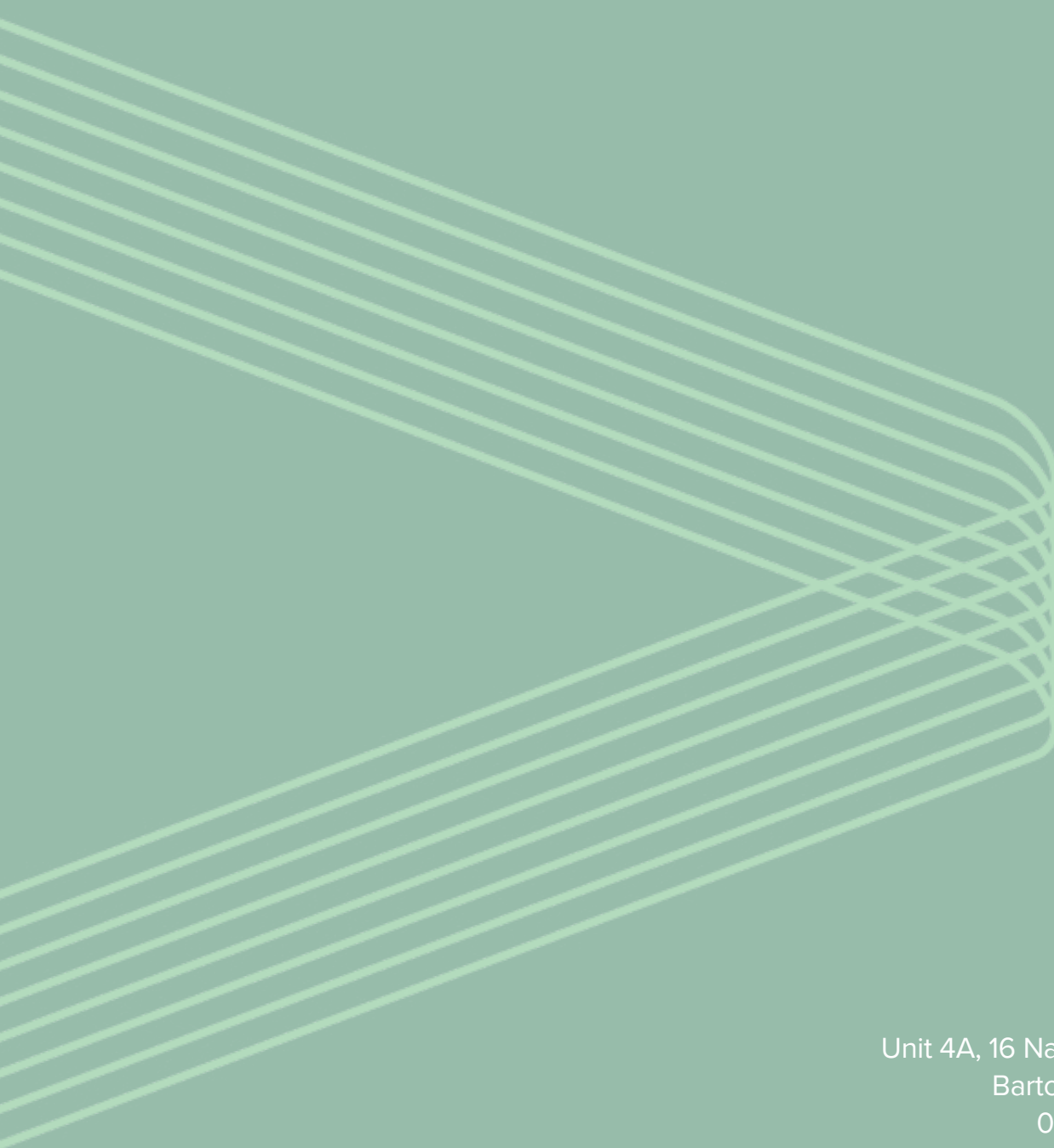


ipaa\_act

INSTITUTE OF  
PUBLIC ADMINISTRATION  
AUSTRALIA

**IPAA**  
ACT

**BUILD** YOUR CONNECTIONS  
**CHALLENGE** YOUR THINKING



Unit 4A, 16 National Circuit  
Barton ACT 2600  
02 6154 9800  
admin@act.ipaa.org.au  
www.act.org.au